

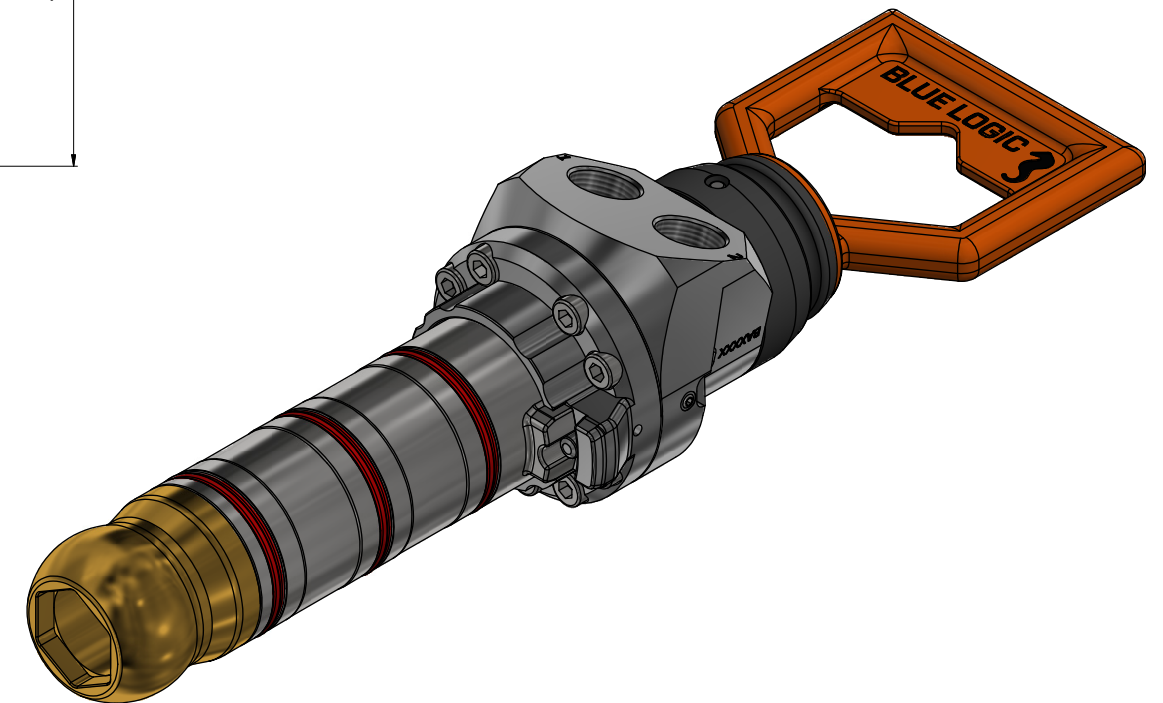
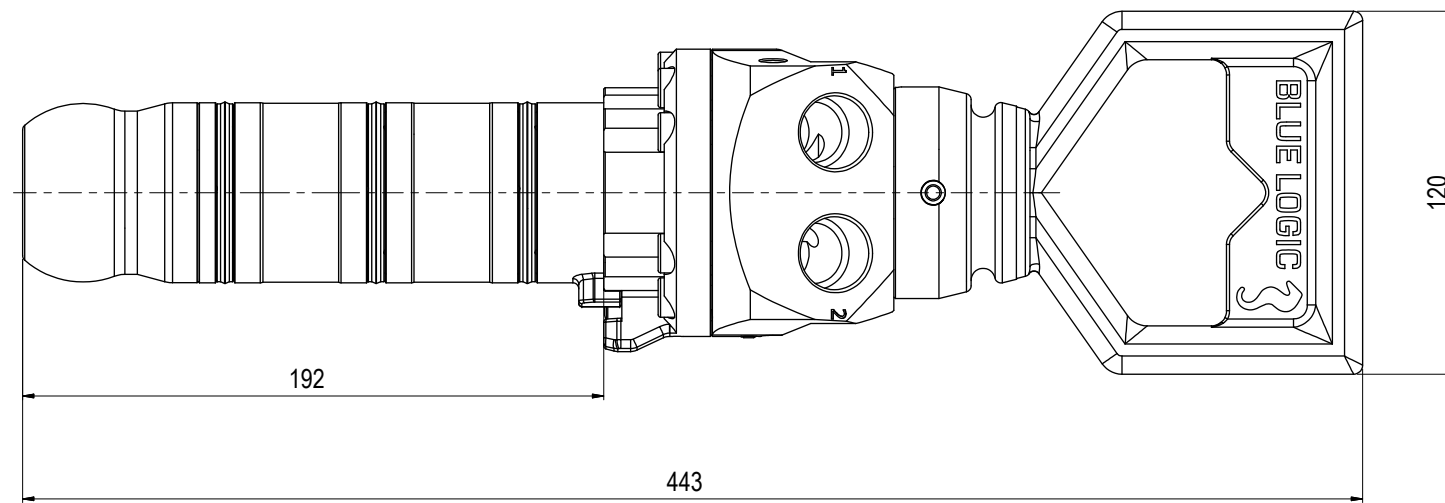
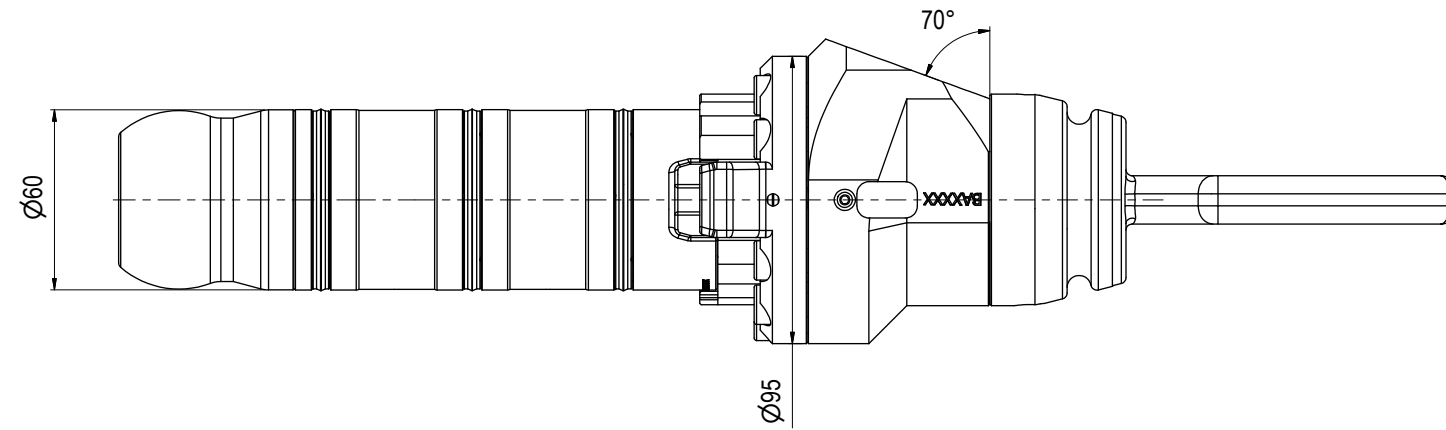
NOTE: 1
 DESIGN CODE:
 N/A

NOTE: 2
 TECHNICAL CLASSIFICATION:
 Article Type: 003-Valve Stabs
 Main Group: 3.04. Ø60-Valvestab
 Intermediate Group: 3.34.01. Stab
 Sub Group: 3.34.74.2. Dual

NOTE: 3
 INTERFACE INFORMATION:
 Pressure Rating Bar: 345
 Design Water Depth:
 Material: Intervention
 Weight: 8,3 kg
 Volume: 1,15 dm³
 Submerged Weight: 7,15 kg
 Surface Area: 2983 cm²
 Hydraulic: 3/4" BSP
 Mechanical: N/A
 Electrical: N/A
 Com. & Protocol: N/A

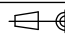
NOTE: 4
 SPAREPARTS:
 BB1698

NOTE: 5
 WEB LINK:
<http://e-sea.bluelogic.no/main.aspx?page=article&artno=BA8490>



11	23.3.2026	9-IFU (Issued for Use)		WTJ	HNJ	WTJ
10	1.10.2024	9-IFU (Issued for Use)		WTJ	HNJ	WTJ
09	15.9.2022	9-IFU (Issued for Use)		WTJ	LGH	WTJ
08	19.4.2022	9-IFU (Issued for Use)		WTJ	LGH	WTJ
Rev.	Date	Reason for issue	Revision change	Made	Chk'd	Appr.

BLUE LOGIC 

Dwg Scale:
 NTS
 Dwg Proj:

 Dwg Format:
 A3

Drawing title:
 Ø60 DP VStab 345Bar Interv 70deg BSP 3/4"

Drawing number:
 BA8490

Rev.
 11